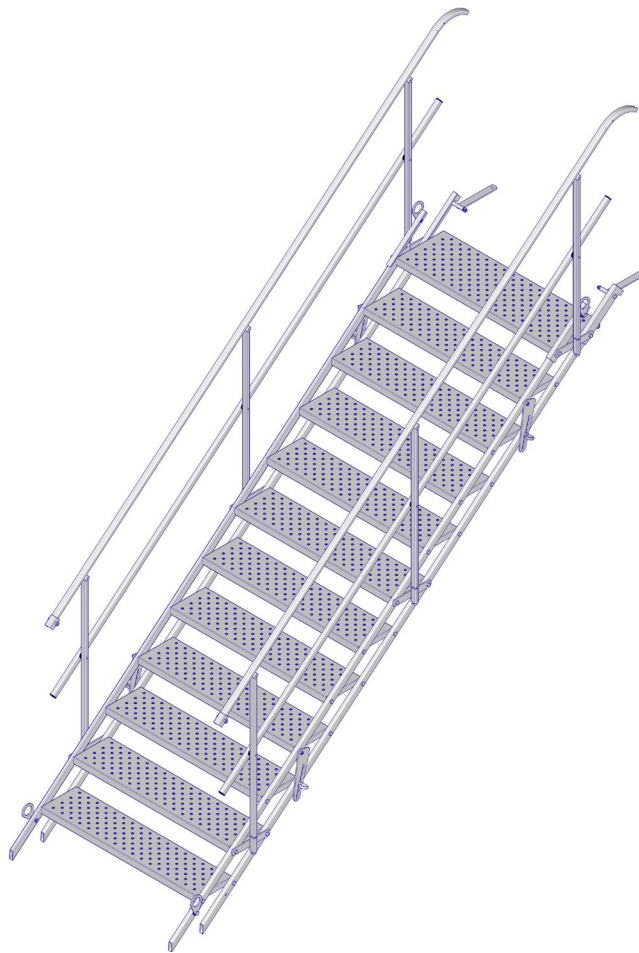


# STAIRWAYS

## USER MANUAL



# CONTENT

- General information ..... 3
- Safety ..... 3
- Check material ..... 3
- Configurations ..... 4
- Components..... 5
- Support..... 7
- Dimensions..... 8
- Mounting ..... 10
- Maintenance ..... 14
- SafetyCheck ..... 15

## GENERAL INFORMATION

SafetyRespect Stairways are available in two widths, 70 and 100 cm, and six different lengths. The units can safely be connected to create a longer Stairway.

Each Stairway is supplied with two handrails that adjust to the inclination angle. The foldable steps always remain horizontal, regardless of the inclination.

The Stairways are made of galvanised square steel tubes. The steps are made of non-slip, punched sheet metal and have a high degree of stability. All necessary fasteners are included in the delivery.

The Stairways can be pre-assembled to the required length before transport or assembled on site. To simplify transport and storage, the Stairways can be folded flat.

All Stairways are manufactured in accordance with the European standard EN 12811. Load class 2 and max 1,5 kN/m<sup>2</sup>. The inclination angle shall be 30° ≤ 55°.

Ensure Stairways are kept free of ice, snow or other external substances that can affect the function or usage.

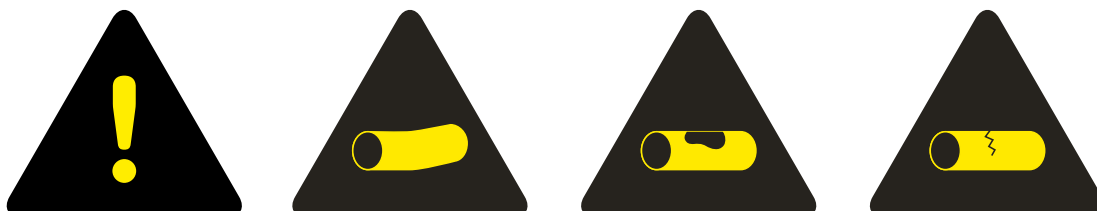
## SAFETY

To reduce risks at the worksite, make a documented risk assessment and action plan. The following risks and measures are always present when using the product:



## CHECK MATERIAL

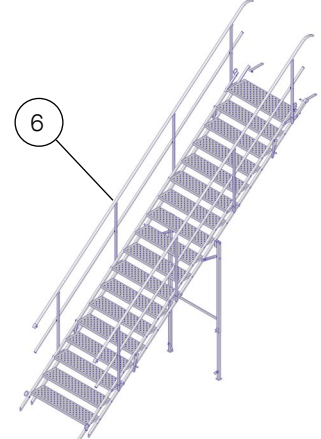
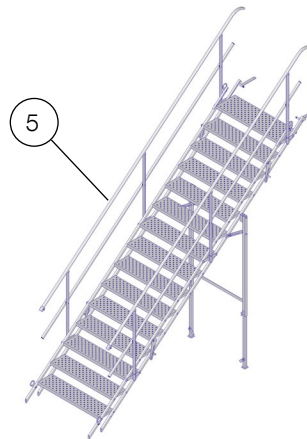
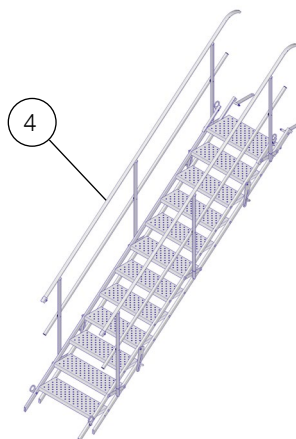
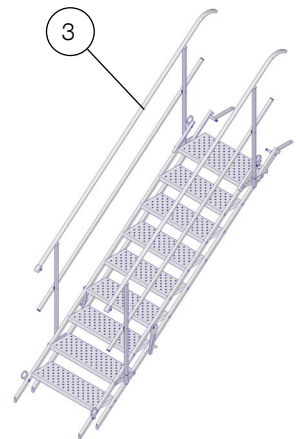
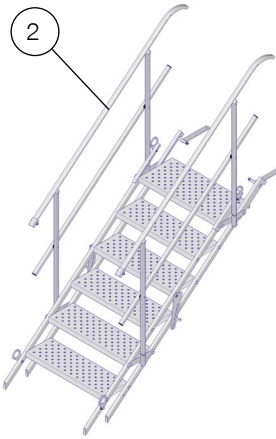
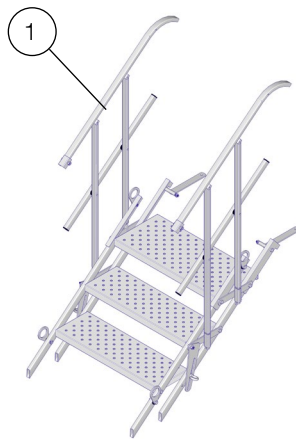
Check all parts for mounting. If in doubt, contact SafetyRespect and replace or discard damaged material.



# CONFIGURATIONS

## STAIRWAY 3-18 STEPS

NO.	ART. NO.	DESCRIPTION	WEIGHT
1	5060003	Stairway, width 70 cm, 3 steps	39 kg
1	5061003	Stairway, width 100 cm, 3 steps	43 kg
2	5060006	Stairway, width 70 cm, 6 steps	61 kg
2	5061006	Stairway, width 100 cm, 6 steps	70 kg
3	5060009	Stairway, width 70 cm, 9 steps	83 kg
3	5061009	Stairway, width 100 cm, 9 steps	97 kg
4	5060012	Stairway, width 70 cm, 12 steps	110 kg
4	5061012	Stairway, width 100 cm, 12 steps	127 kg
5	5060015	Stairway, width 70 cm, 15 steps	147 kg
5	5061015	Stairway, width 100 cm, 15 steps	170 kg
6	5060018	Stairway, width 70 cm, 18 steps	174 kg
6	5061018	Stairway, width 100 cm, 18 steps	200 kg

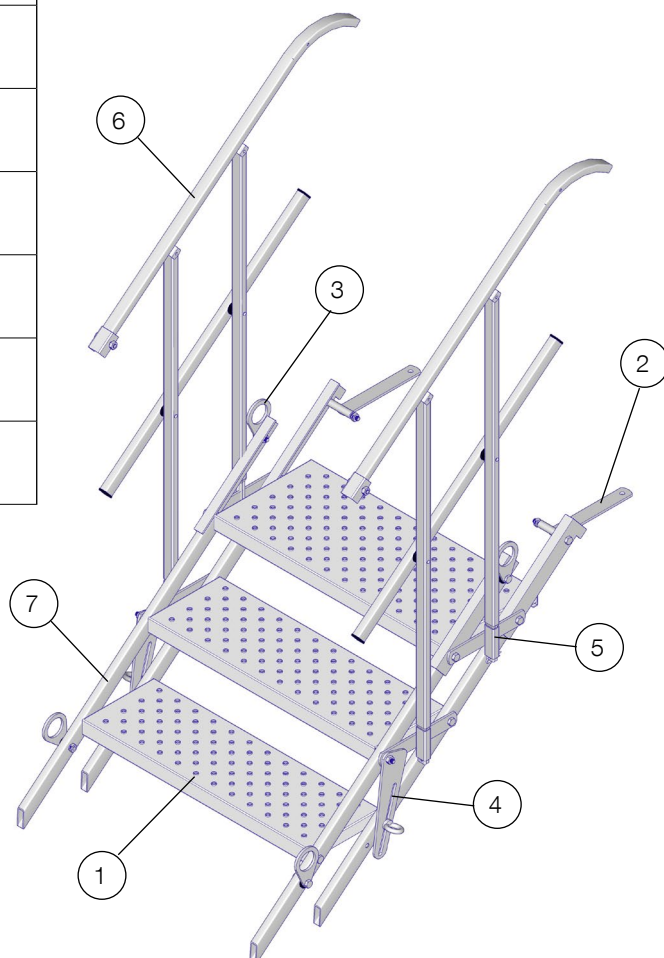
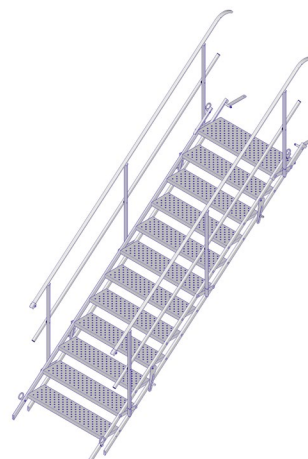




# COMPONENTS

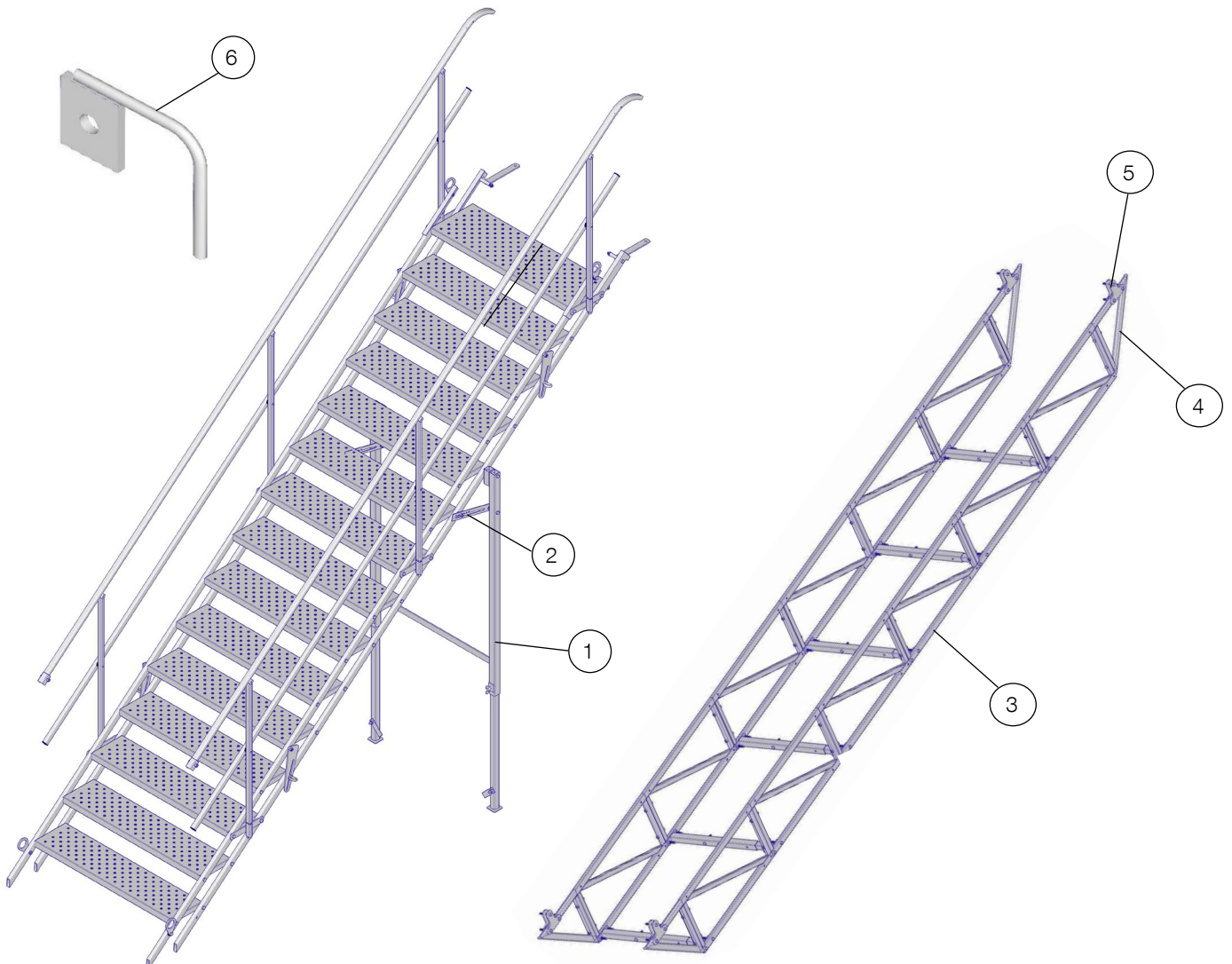
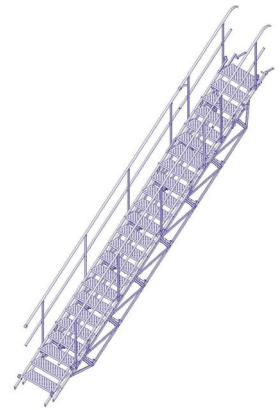
## STAIRWAY 3-18 STEPS

NO.	ART. NO.	DESCRIPTION	QTY
1	5161010	Step 225×700	3-18 pcs
1	5161011	Step 305×700	3-18 pcs
1	5161012	Step 225×1000	3-18 pcs
1	5161013	Step 305×1000	3-18 pcs
2	5161001	Slab Fix 249×6	2 pcs
3	5161002	Crane Hook 50	2 pcs
4	5161003	Lock 240×74	2 pcs
5	5161004	Handrail Holder 240×80	4-8 pcs
6	5161036	Handrail, 3 steps	2 pcs
6	5161066	Handrail, 6 steps	2 pcs
6	5161096	Handrail, 9 steps	2 pcs
6	5161126	Handrail, 12 steps	2 pcs
6	5161156	Handrail, 15 steps	2 pcs
6	5161186	Handrail, 18 steps	2 pcs
7	5161031	Side Beams for 3-Step Stairway (set=4 pcs)	4 pcs
7	5161061	Side Beams for 6-Step Stairway (set=4 pcs)	4 pcs
7	5161091	Side Beams for 9-Step Stairway (set=4 pcs)	4 pcs
7	5161121	Side Beams for 12-Step Stairway (set=4 pcs)	4 pcs
7	5161151	Side Beams for 15-Step Stairway (set=4 pcs)	4 pcs
7	5161181	Side Beams for 18-Step Stairway (set=4 pcs)	4 pcs



**ADDITIONAL COMPONENTS**

NO.	ART. NO.	DESCRIPTION	WEIGHT
1	5061001	Stairway Support 70 (for configuration 15–18 steps)	
1	5061005	Stairway Support 100 (for configuration 15–18 steps)	
2	50610019	Crocodile 290	
3	5066001	Maxi support middle piece (for configuration 21–36 steps)	13,5 kg
4	5066002	Maxi support end piece (for configuration 21–36 steps)	6,3 kg
5	5066007	Maxi support connector (for configuration 21–36 steps)	1,1 kg
6	5061103	Scaffold Fix BT	



# SUPPORT

## CONNECTION OF TWO STAIRWAYS

Stairway support or maxi support is needed for Stairways 15–36 steps, see table 1 below. Additional components are needed for Maxi support to Stairway 24–36 steps, see table 2 below.

Table 1: Additional support for connections of Stairway.









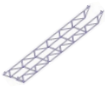



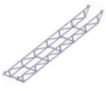
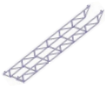



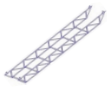
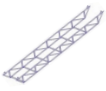
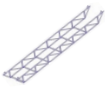


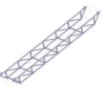
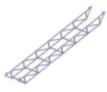
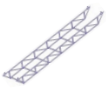
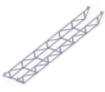

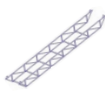
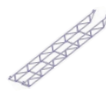
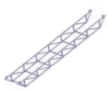
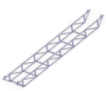
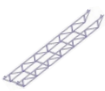


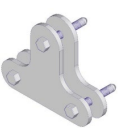



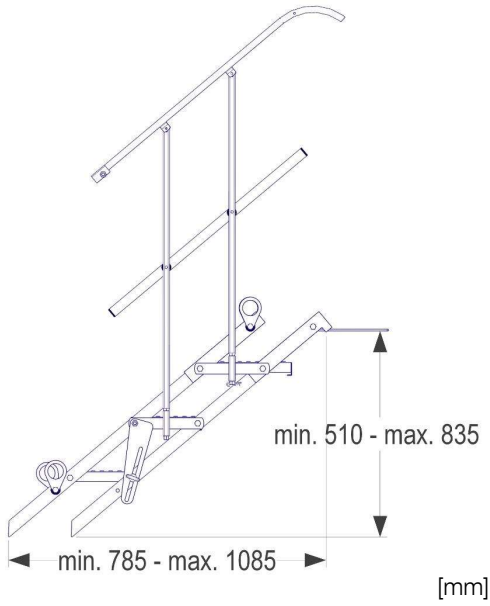
NO. OF STEPS	3 STEPS	6 STEPS	9 STEPS	12 STEPS	15 STEPS	18 STEPS	
<b>3 STEPS</b>							 Stairway support  Maxi support
<b>6 STEPS</b>							
<b>9 STEPS</b>							
<b>12 STEPS</b>							
<b>15 STEPS</b>							
<b>18 STEPS</b>							

Table 2: Additional components for maxi support.

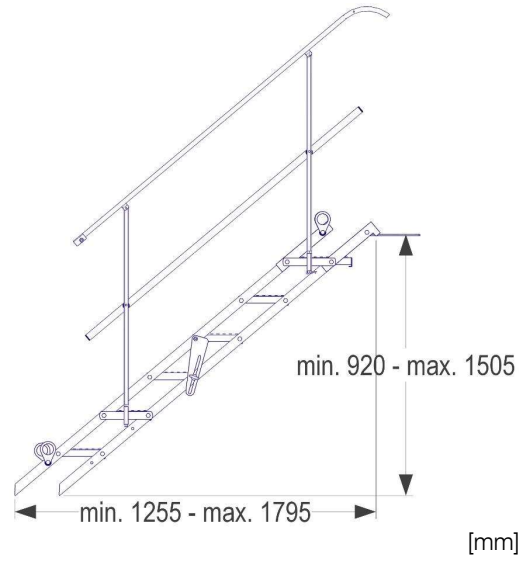
NO. OF STEPS				
<b>24 STEPS</b>	2	6	6	 Stairway support end piece
<b>27 STEPS</b>	2	7	6	 Stairway support middle piece
<b>30 STEPS</b>	2	8	6	
<b>33 STEPS</b>	2	9	8	 Stairway support connector
<b>36 STEPS</b>	2	10	8	

# DIMENSIONS

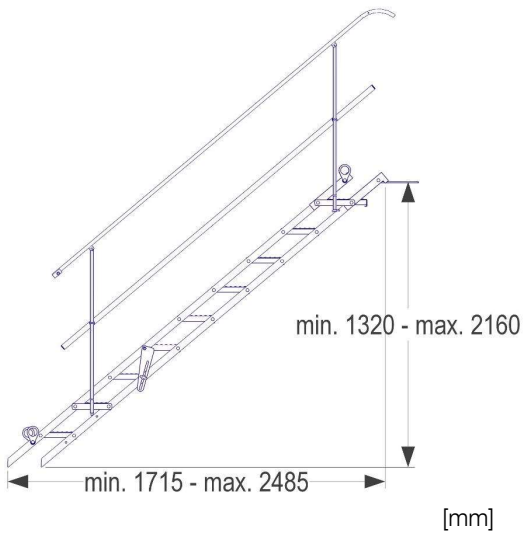
Stairway 3-steps



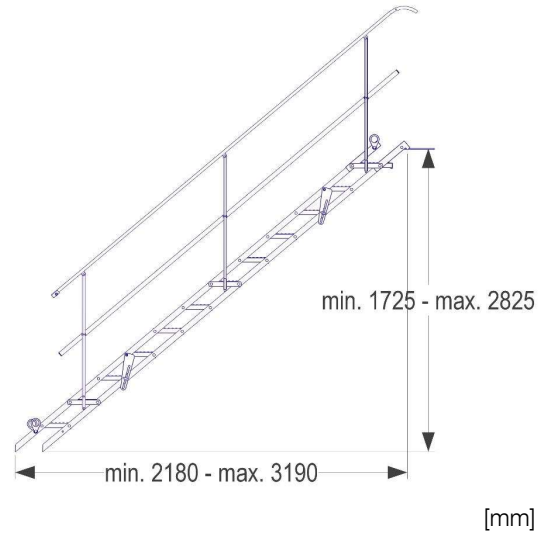
Stairway 6-steps



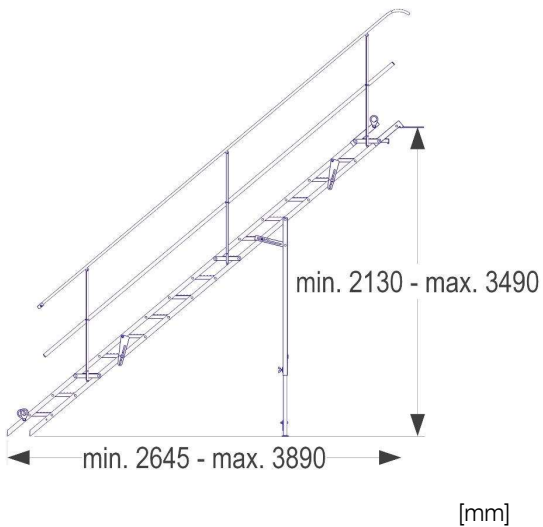
Stairway 9-steps



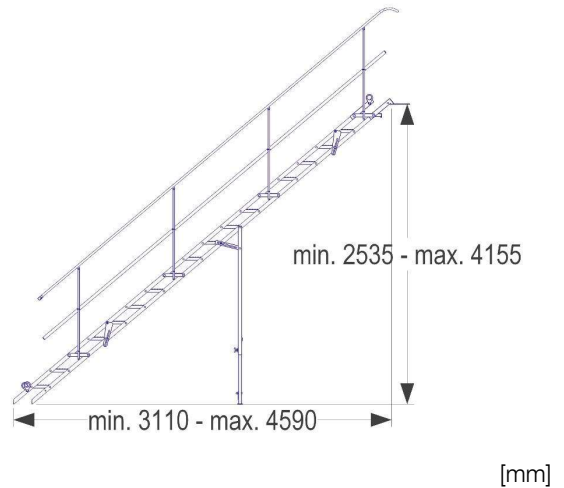
Stairway 12-steps



Stairway 15-steps



Stairway 18-steps



Stairway 21–36 steps

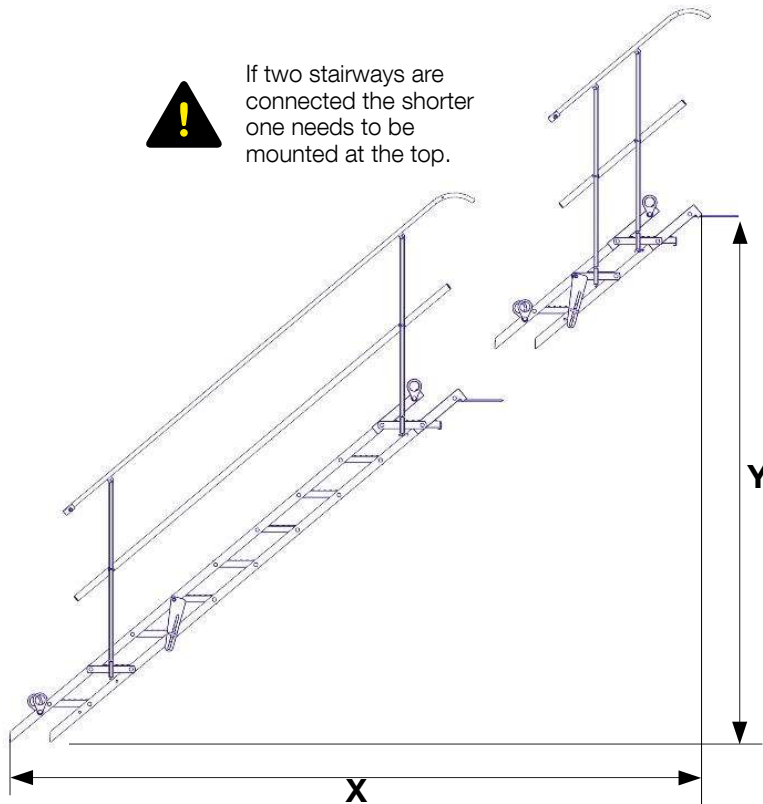


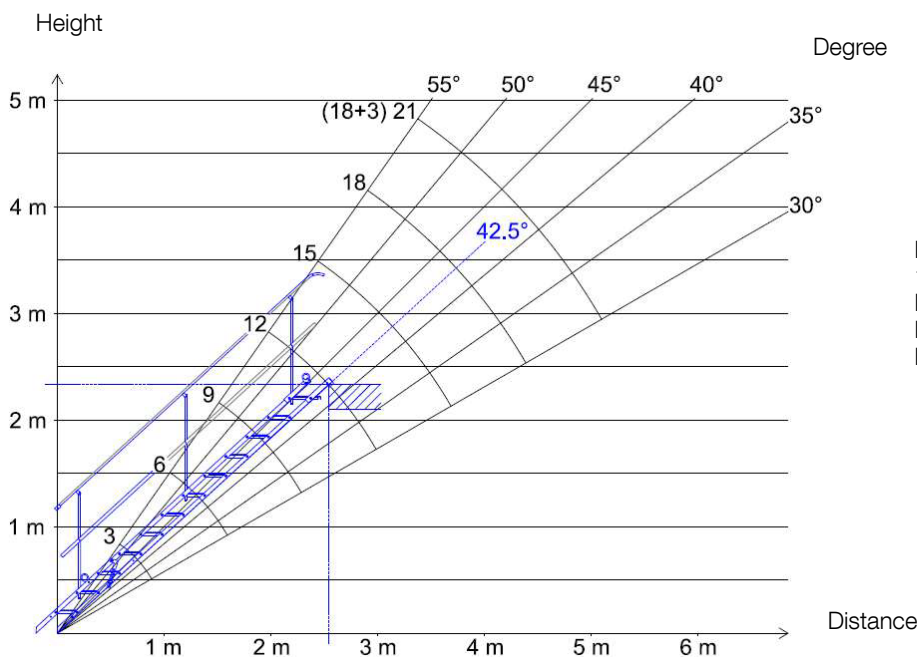
Table 1: Dimensions for Stairway 21–36 steps.

STEPS	HEIGHT (Y)	DISTANCE (X)
21	2900–4700 mm	3300–5000 mm
24	3400–5500 mm	3900–5800 mm
27	3750–6150 mm	4300–6500 mm
30	4200–6750 mm	4800–7100 mm
33	4600–7400 mm	5300–7900 mm
36	5000–8100 mm	5700–8600 mm

**INCLINATION**

According to EN 12811-1 the Stairways incline must be kept in  $30^\circ \leq 55^\circ$ . Calculate the horizontal distance from the overall height and the angle of inclination.

Diagram 1: Inclination diagram.

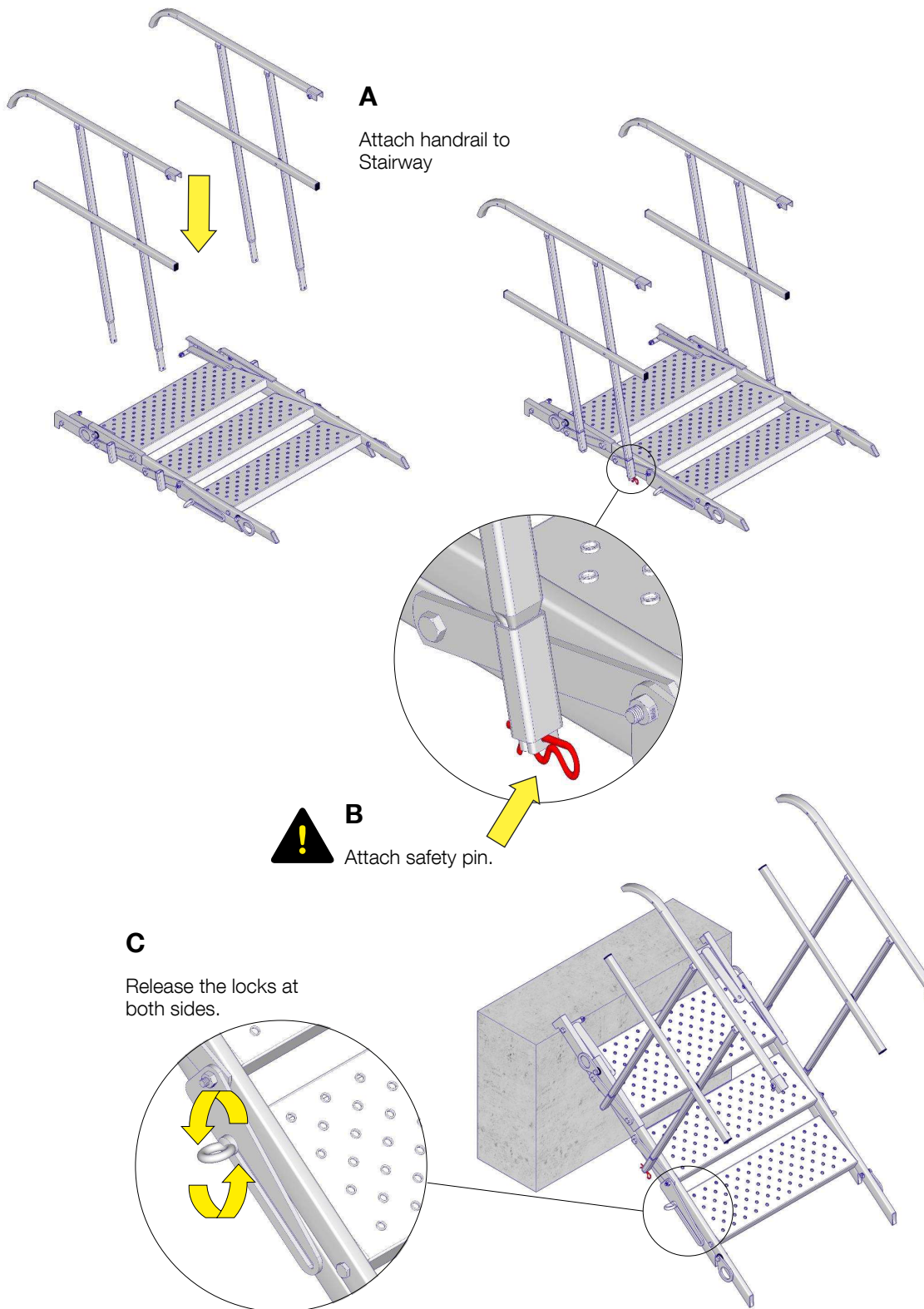


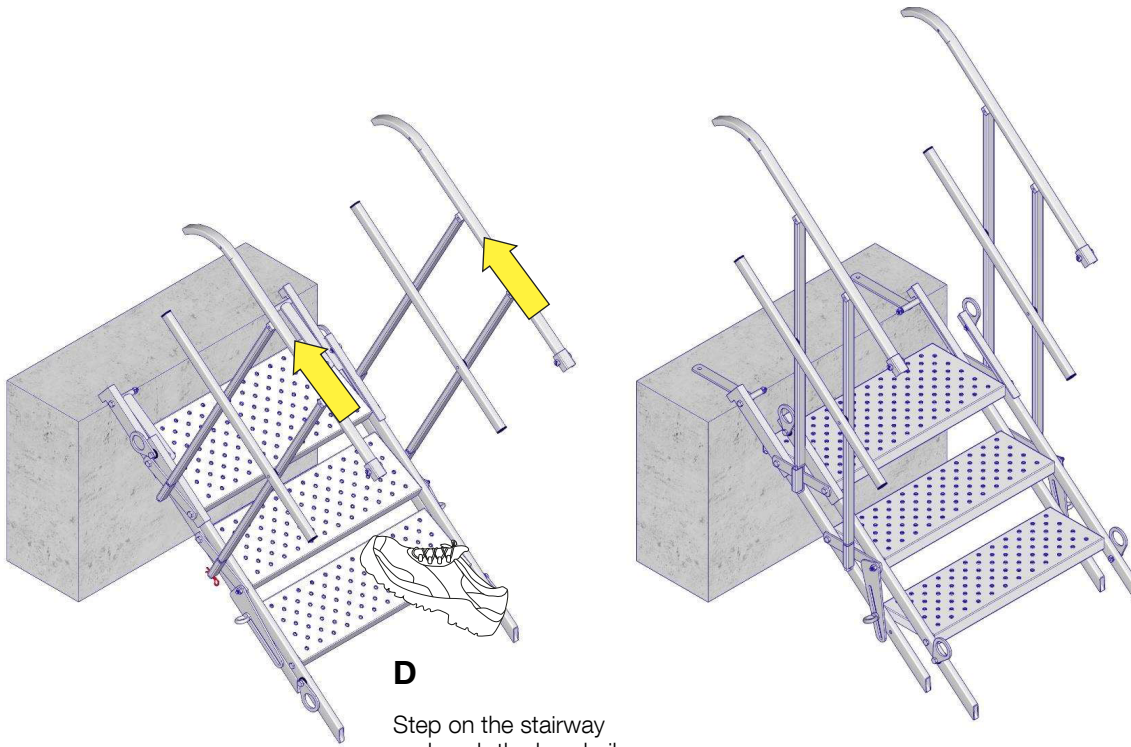
Example:  
 12-steps Stairway  
 Degree: 42,5°  
 Height: 2,35 m  
 Distance: 2,55 m



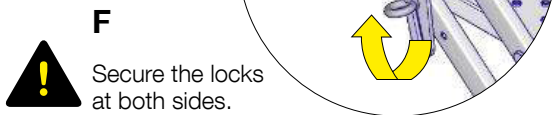
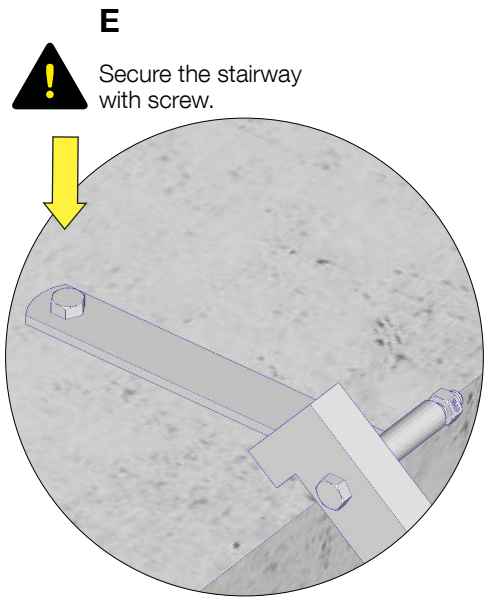
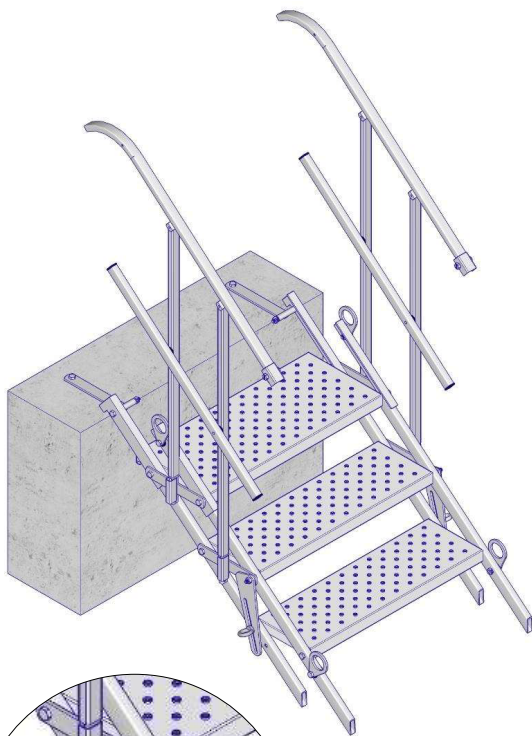
# MOUNTING

## STAIRWAY





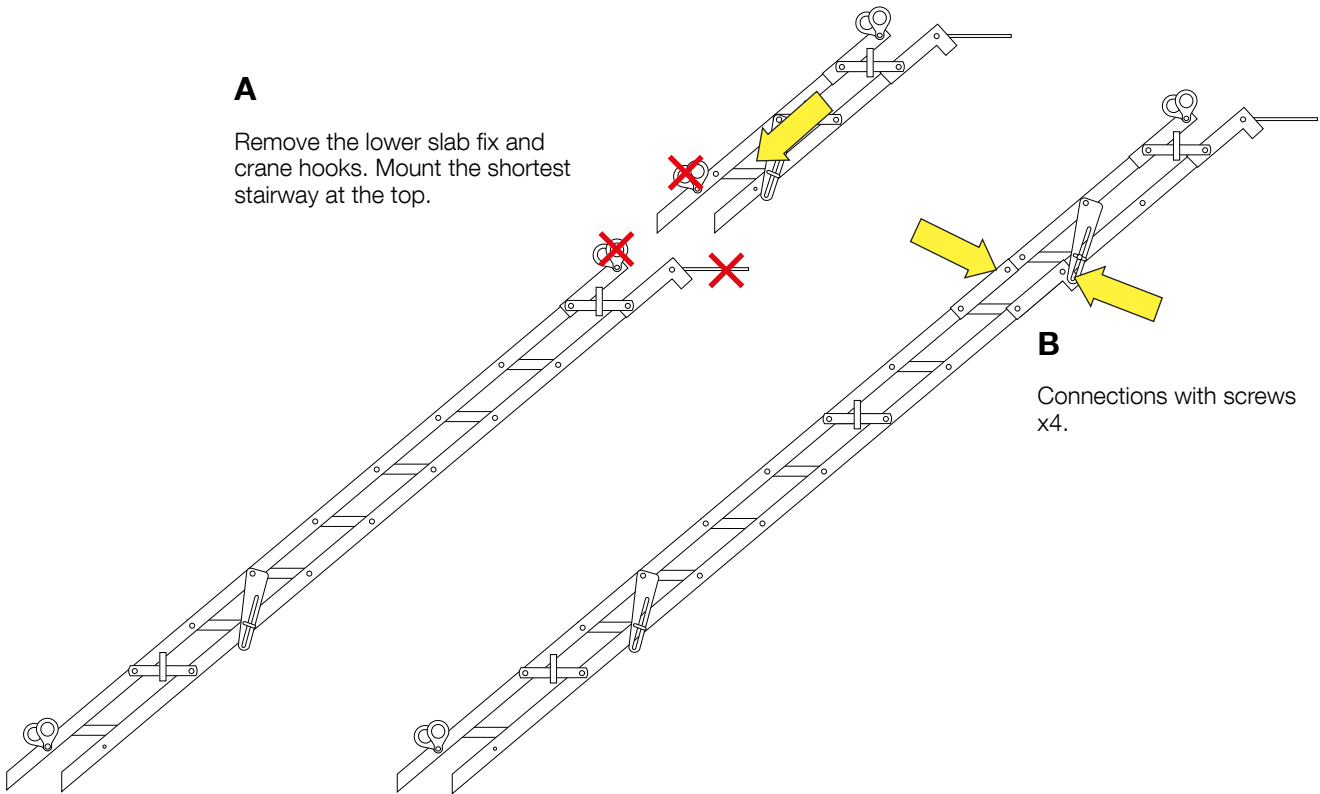
**D**  
Step on the stairway  
and push the handrail  
to fold it out.



## CONNECTIONS

**A**

Remove the lower slab fix and crane hooks. Mount the shortest stairway at the top.

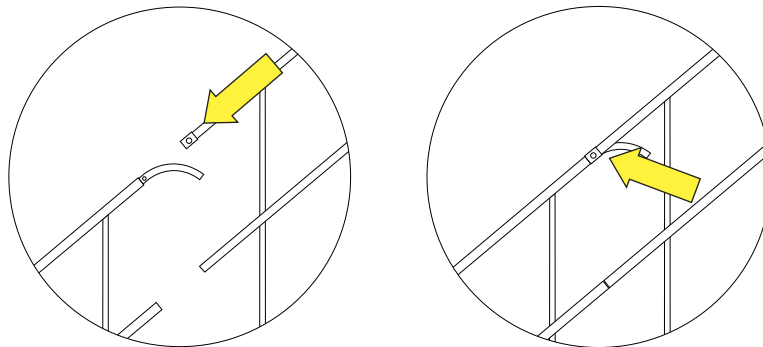


**B**

Connections with screws x4.

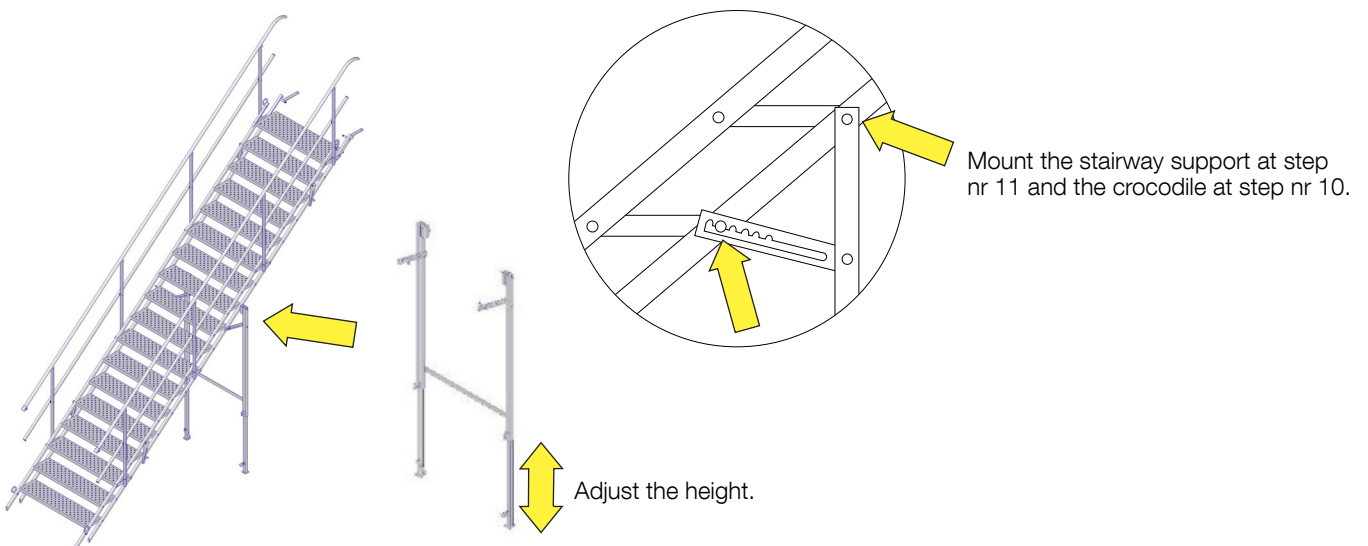
**C**

Connect the sidebeams with screws x2 and mount the complete stairway according to instructions shown in page 10-11.



## STAIRWAY SUPPORT

For 15-21 steps mount the stairway support:



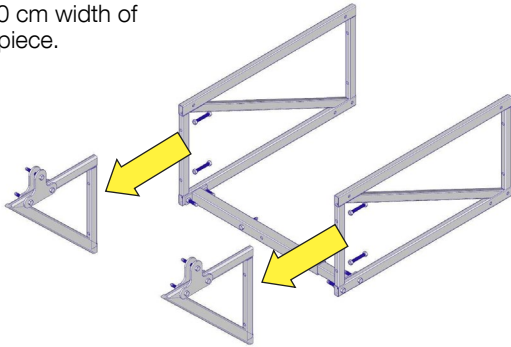


## MAXI SUPPORT

For 24-36 steps mount the maxi support.

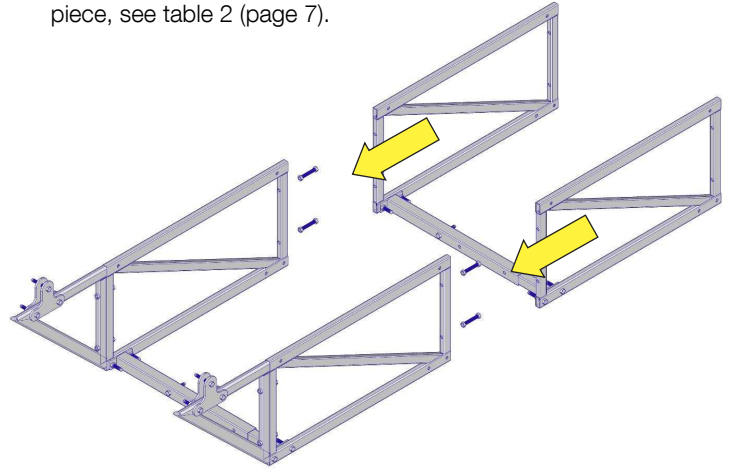
### A

Attach end piece to 70 or 90 cm width of middle piece.



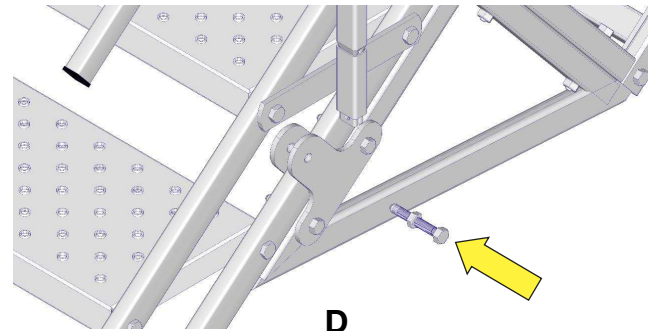
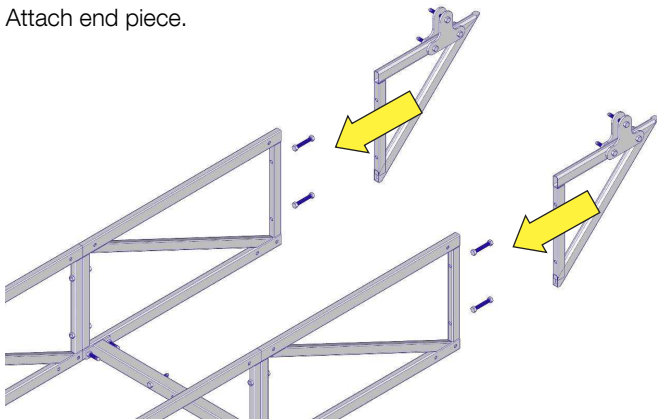
### B

Attach x- amount of middle piece, see table 2 (page 7).



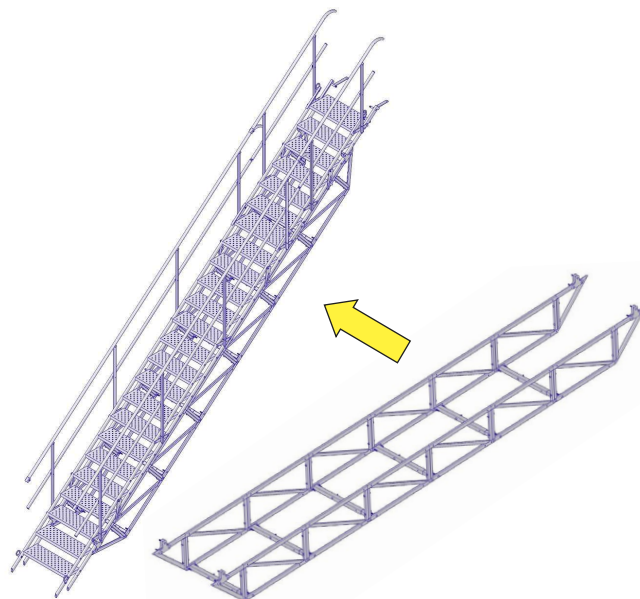
### C

Attach end piece.



### D

Attach x-amount of connectors to Stairway, see table 2 (page 7).



# MAINTENANCE

## REPAIR AND INSPECTION

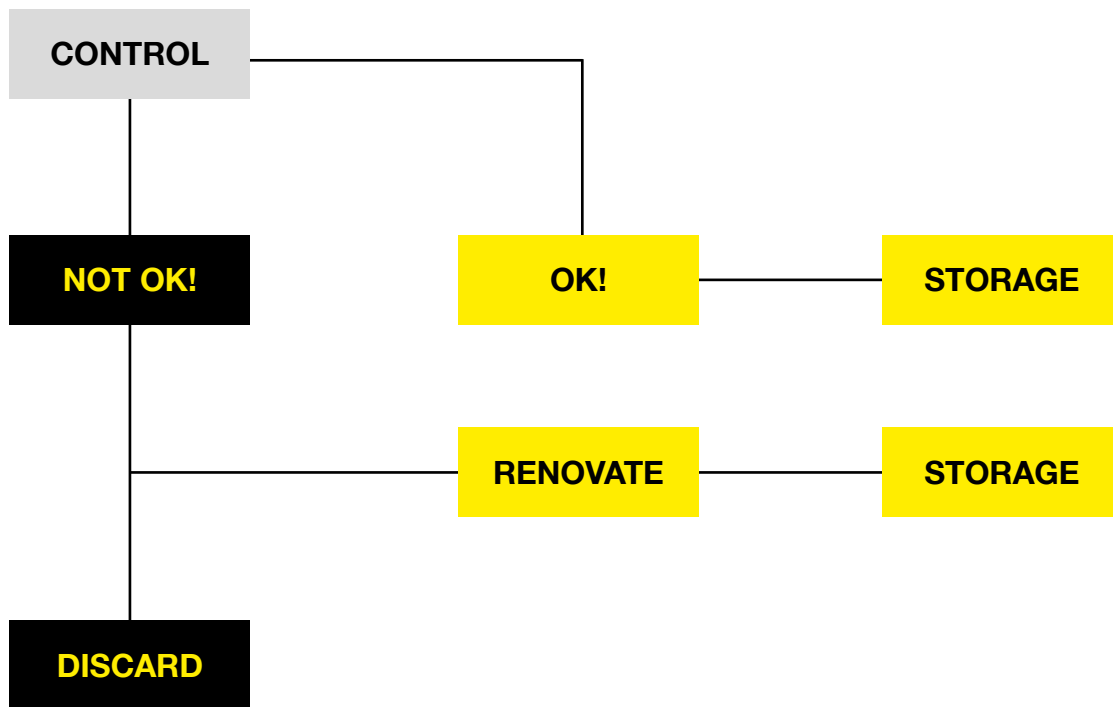
The products shall always be inspected by a person with the appropriate knowledge before being put back into use again. All repairs need to be performed by, or under the supervision, of a competent person (see below).

The product shall be visually inspected regularly. The interval may vary depending on the specific installation and should be taken into consideration in the risk analysis.

Check that:

- The parts match as they should.
- No deformations can be found.
- No cracks can be found.
- No alterations have been made to the system.
- No rust can be found.
- No other external influences can be found.

Clean the parts when required.



## STORAGE, CARE AND INSPECTION

Store in a dry place and keep away from heat sources, corrosive materials, acids, solvent oils etc. It is the installer's responsibility to carry out an initial visual inspection of the product and attachment system. All damage must be reported and corrected before any work commences.

## COMPETENT PERSON

A competent person is someone who has been given the appropriate training and been authorized by SafetyRespect to perform inspections and repairs.

# SAFETYCHECK STAIRWAYS

Safetycheck is also available on mobile devices online: [safetycheck.se](http://safetycheck.se)

WORKSITE		DATE	
Location		Order no.	
Manager		Check no.	

SITE/PART OF BUILDING			
1		3	
2		4	

CHECK POINTS	YES	NO	REFERENCE	REMARKS
Is the installation manual available during installation?			Stairway user manual	
Are the components free of damage?			Page 2	
Have the handrails been properly inserted and attached to the Stairway?			Page 10	
Have the steps been made horisontal?			Page 11	
Are all brackets properly anchored?			Page 11	
Are all screws, pipe joints and couplings properly tightened?			Page 10–14	
Has the need for Maxi Support been assesed in accordance with these instructions?			Page 13	
Is the inclination of the Stairway within its limitations?			Page 9	

CHECKING THE ABOVE LIST CONDUCTED BY			
Date		Signature	

